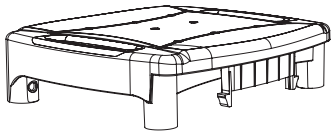


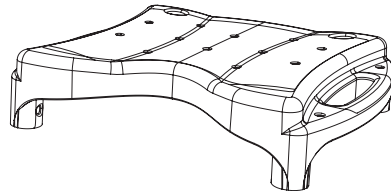
# Transfer Bench by LOOK

## COMPONENTS

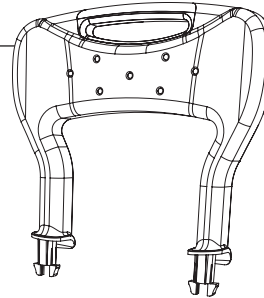
**! DO NOT USE ANY CRACKED OR DAMAGED COMPONENTS.**



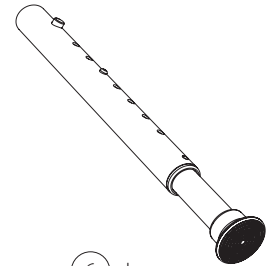
1 Small Seat



1 Large Seat



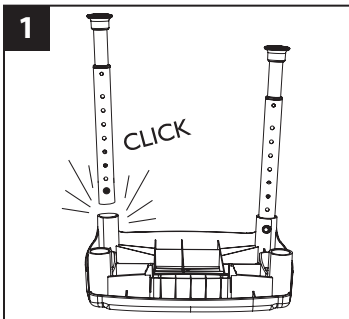
1 Back Rest



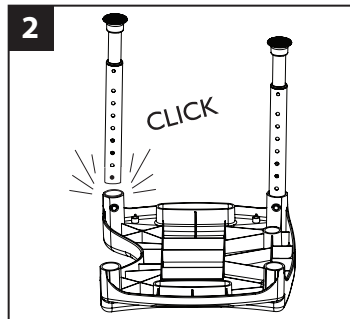
6 Legs

## ASSEMBLY

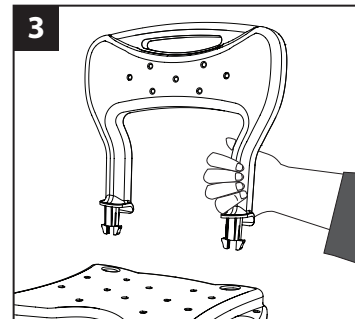
**! ENSURE THAT ALL PUSH BUTTONS "CLICK" INTO POSITION. DO NOT USE PRODUCT IF PUSH BUTTONS ARE DAMAGED IN ANY WAY.**



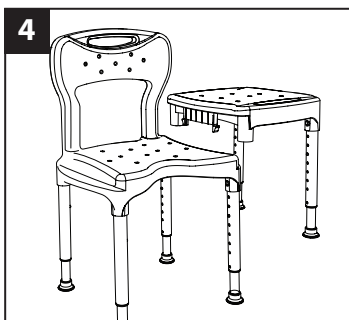
Flip over small seat and insert two legs into holes at bottom of seat on the side without the clips.



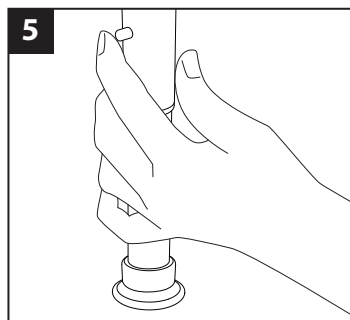
Flip over large seat and insert four legs into holes at bottom of seat. Ensure white button "clicks" into place.



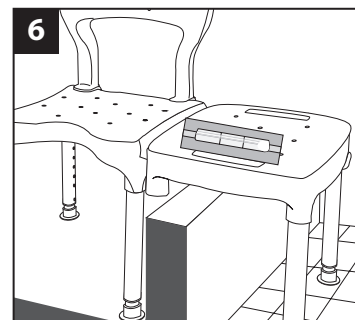
Insert back rest into large seat.



Insert small seat into side slots in large seat as shown.



Push in brass coloured button and slide inner tube up or down to adjust to desired height. Ensure button "clicks" into place.



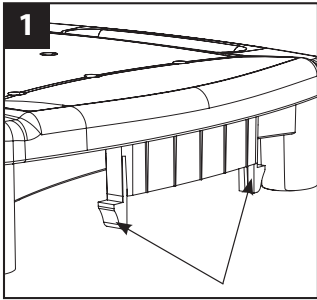
Ensure transfer bench is level before use. If Easy On/Easy Off feature is not required (see over), ensure seat clips are securely "locked" into position.

**! THE FOUR LEGS OF THE LARGE SEAT REST IN THE BATHTUB. THE TWO LEGS OF THE SMALL SEAT REST ON THE BATHROOM FLOOR. ADJUST LEGS TO ENSURE THE BENCH AS A WHOLE UNIT IS LEVEL AND STABLE BEFORE USING.**

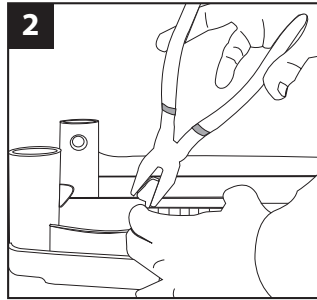
**WARRANTY:** This warranty is extended to the original purchaser of this product for a period of one year from the original purchase date against defects in materials and/or workmanship and is dependent that the product has been used in the intended fashion as outlined in this manual. Those items not warrantied are rubber tips. Any installation, service and/or labour charges are at the discretion of the vendor and are not the responsibility of Parsons ADL. Any parts damaged by improper installation, repair and/or alteration by an unauthorized agency or individual, or parts damaged by neglect, accident or misuse on the part of the agency or individual are not warrantied. Parsons ADL's sole liability extends to repair or replacement of parts or components as previously specified. The foregoing is in lieu of any other warranties expressed or implied, whether written or oral.

**EASY ON / EASY OFF FEATURE** The small seat can be made to remove easily allowing the shower curtain/door to close.

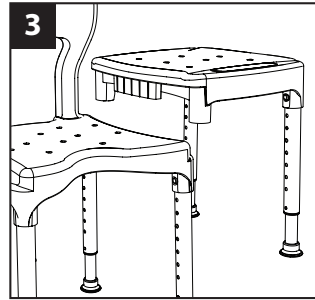
**!** TO ENABLE THIS FEATURE, THE CLIPS SHOWN MUST FIRST BE REMOVED.



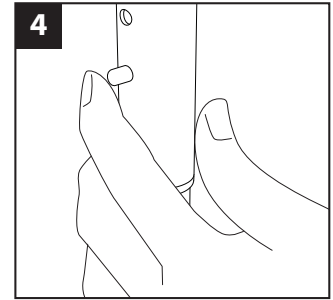
1 Locate the two clips on the bottom of the small seat section.



2 Using pliers, break off the clips.

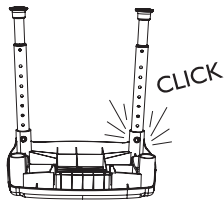


3 Place the small seat into the larger seat as shown.

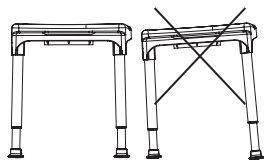


4 Adjust legs to ensure transfer bench is level.

**WARNINGS** Please read and heed all warnings. Save this information for future reference.



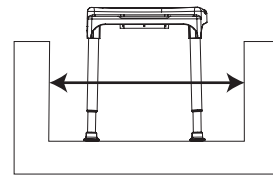
Ensure legs are locked in before sitting.



Ensure legs are adjusted so the transfer bench is level to avoid possible injury.



DO NOT stand on seat. Your feet must firmly touch the floor when seated.



Only use on tub/shower floors that are wide enough to ensure stability of all four legs.



**250 lbs (113.4 kg)**

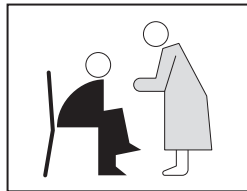
DO NOT exceed weight capacity.

**!** THIS TRANSFER BENCH SHOULD NOT BE USED AS A SUPPORT WHEN ENTERING OR EXITING THE BATHTUB ITSELF. Use a safety rail (available separately) if you require a support. Contact Parsons Customer Service for recommendations.

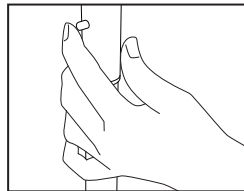
**CARE AND USE**



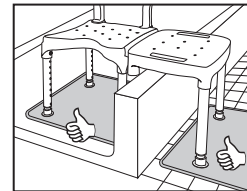
DO NOT use chlorine bleach or abrasive cleansers. To clean, wipe down with a damp cloth using a mild detergent only. Rinse well after each use.



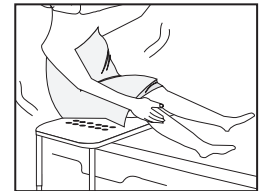
Supervision or assistance is recommended for users with limited mobility.



Periodically check the legs to ensure that all push buttons protrude fully through the adjustment holes.

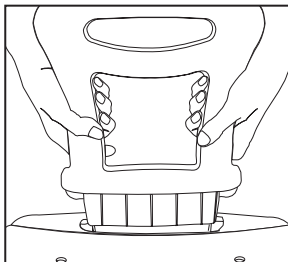


Increase safety by using a slip resistant bath mat under the bench.

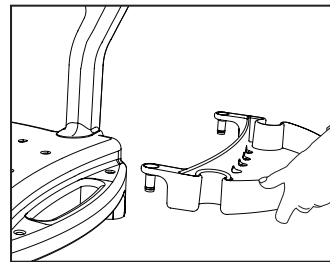


Ensure your weight is evenly distributed when sitting. Improper or uneven loading may result in the chair tipping over and/or falling.

**OPTIONAL ACCESSORY INSTALLATION** These accessories are sold separately.



**1416 Look Arm Rest** can also be used as additional back rest. Insert the arm rest into the mating slot on the small seat.



**1418 Look Soap Dish** with built-in holder for left or right hand shower hose. Insert the pegs of the soap dish accessory into the mating holes on the large seat (instead of arm rest).