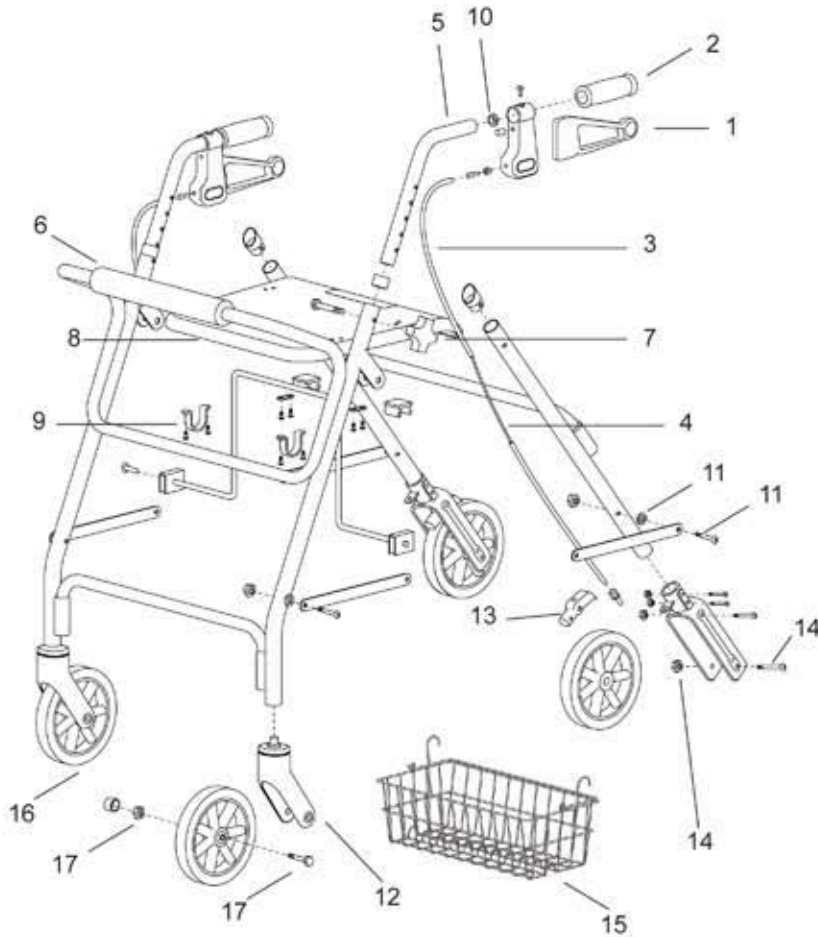




4200DX Super Low

| No | Designation (Qty/Rollator) | UofM | Art. no |
|--------------------|---|----------|------------------|
| 1 | Brake Handle Complete Housing Plastic Cap Screw Handle with Nylon Ball Fulcrum Wheels (2 required) Fulcrum Wheel Plug (2 required) | EA | P49510 |
| 4 | Wire Cable Tension Adjustment Screw | EA | P49006 |
| 10 | Nylon Tube Cap | EA | P42013 |
| 5 | Push Handle | EA | P42017 |
| 2 | 5" Rubber Handles 5" Foam Handles | PR | P42052 P42016 |
| 3 | Vinyl Cable Sleeve Cover | EA | P49011 |
| 7 | Star Handle and Bolt | EA | 89096 |
| 6 | Backrest Foam | EA | P42009 |
| 8 | Plastic Seat | EA | P42055 |
| 9 | Front Seat Clamp (2 required) | EA | P42041 |
| 11 | Frame Bracket Bolt and Nut | EA | P42005 |
| 14 | Rear Axle and Bolt | EA | P42034 |
| 13 | Brake Pad | EA | P49055 |
| Front Wheel | | | |
| 12 | Front Fork with Bearing | EA | P42032 |
| 17 | Front Wheel Axle & Nut | EA | P42022 |
| 16 | 6" Wheel with Bearings Wheel Bearing (2 required) | EA EA | P42033 H48022 |
| 15 | Basket 15"38.1cm (L) x 9"23cm (W) x 6.5"16.5cm (D) | EA | 4212 |



All Rights Reserved. 4200 DX Super Low Parts Rev 1 - October 2015-Released
This manual may not be reproduced in part or in whole without the written permission of the publisher.

Models: 4205183F & 4205185F

Parsons ADL Inc.
1986 Sideroad 15, Tottenham, ON L0G 1W0
(800) 263-1281 www.parsonsadl.com

