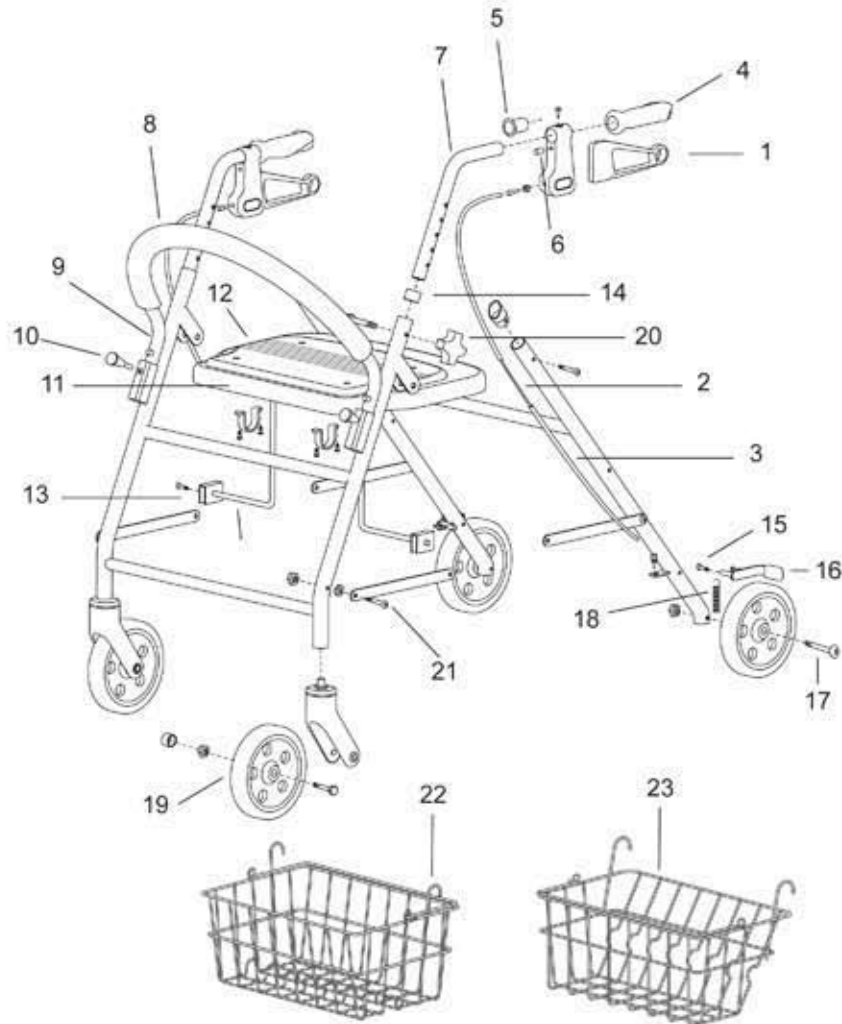




# PARSONS ADL



## 4200WX Wide/Regular

No	Designation (Qty/Rollator)	UofM	Art. no
1	<b>Brake Handle Complete</b> Housing Plastic Cap Screw Handle with Nylon Ball Fulcrum Wheels (2 required) Fulcrum Wheel Plug (2 required)	EA	P49510
2	Wire Cable Tension Adjustment Screw	EA	P49006
6	Nylon Tube Cap	EA	P42013
7	Push Handle - Regular Push Handle - Wide	EA	P42017 P42045
5	Push Handle Sleeve - Wide Only	EA	P42046
14	Push Handle Collar	EA	P42056
4	Anatomical Handles 5" Foam Handles	PR	P49021 P42016
3	Vinyl Cable Sleeve Cover	EA	P49011
20	Star Handle and Bolt	EA	89096
9	<b>Complete Backrest - Removable</b> Blue Tubing - Regular Red Tubing - Regular Grey Tubing - Regular Blue Tubing - Wide Red Tubing - Wide Grey Tubing - Wide	EA	P42048R1 P42048R3 P42048R4 P42048W1 P42048W3 P42048W4
8	Backrest Foam	EA	P42009
10	Backrest Adjustment Knob	EA	P42047
11	Plastic Seat	EA	P42042
12	Seat Pad	EA	P42043
13	Folding Crossbar and Seat Bracket (2 required)	EA	P42044
<b>Brake Pad Assembly</b>			
15	Screw	EA	P42037
16	Brake Pad	EA	P42036
17	Rear Axle and Bolt	EA	P42054
18	Spring	EA	P42035
21	Frame Bracket Bolt and Nut	EA	P42005
19	Solid Tire with Bearing Wheel Bearing (2 required)	EA EA	P42049 H48022
22	Basket - Low 15"/38.1cm (L) x 10"/25.4cm (W) x 7"/17.8cm (D)	EA	4214
23	Basket - Super Low 16"/40.6cm (L) x 9.25"/23.5cm (W) x 6.5"/16.5cm (D)	EA	4213

All Rights Reserved. 4200 WX Parts Rev A-January 2016-Released  
This manual may not be reproduced in part or in whole without the written permission of the publisher.

Models: 4214181F, 4214183F, 4214184F, 4214221F, 4214223F, 4214224F,  
4215181F, 4215183F, 4215184F, 4215221F, 4215223F, 4215224F.

**Parsons ADL Inc.**  
1986 Sideroad 15, Tottenham, ON L0G 1W0  
(800) 263-1281 [www.parsonsadl.com](http://www.parsonsadl.com)

# Parts List

